

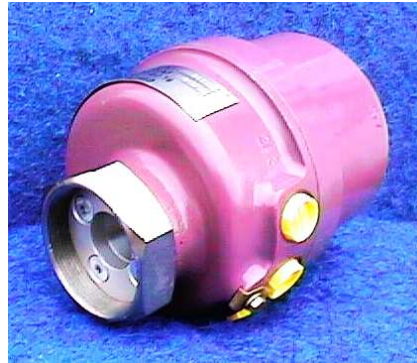
FP87 Series **ATEX Certified** **IIC Flameproof** **Equipment**



Certified  II 2 G Ex db IIC GbT** (-20°C ≤ Ta ≤ **°C)

(** equipment 'T' rating and T_{amb} ranges vary according to the variant chosen, see page 2)

Trip Amplifier or Igniter



UV Flame Scanner

This equipment offers a complete integrated range of UV flame scanner, trip amplifier and ignition units

FP87 ATEX Enclosure Details

Features:

- ◆ Compliance with EN 60079-0: 2012 +A11 2013, EN60079-1: 2014
- ◆ Certificate nos. Baseefa02ATEX0032X (Scanners),
Baseefa02ATEX0033 (Trip Amplifiers)
Baseefa02ATEX0034X (Ignition Units)
- ◆ Compact screw-on lid design for confined installation
- ◆ Optional painted or plated finishes to customer requirements
- ◆ Available in: Aluminium (LM25),

- ◆ Up to three 20 mm gland entries may be fitted.
- ◆ Mounting arrangements to customer requirements


Applications:

- ◆ Suitable for use in potentially hazardous atmospheres above ground, with gases up to IIC specified, including: Hydrogen, Acetylene, Carbon Disulphide, Ethyl Nitrate

Elcontrol FP87 Series ATEX Certified **IIC Flameproof Equipment**



FP87 Scanner

Features:

- Compatible with most Elcontrol trip amplifiers (NB. a version with an integral trip amplifier is also available).
- Can be fitted with a range of sensor types including UV, IR and visible light, or a combination of these - contact sales for details.
- Synthetic Quartz lens or window may be fitted to suit the application.
- Standard mounting is via a 2½" BSP nut - other mountings available on request.
- Certified:  II 2 G Ex db IIC T6 Gb Ta -20°C to 60°C

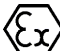
FP87 Trip Amplifier

Features:

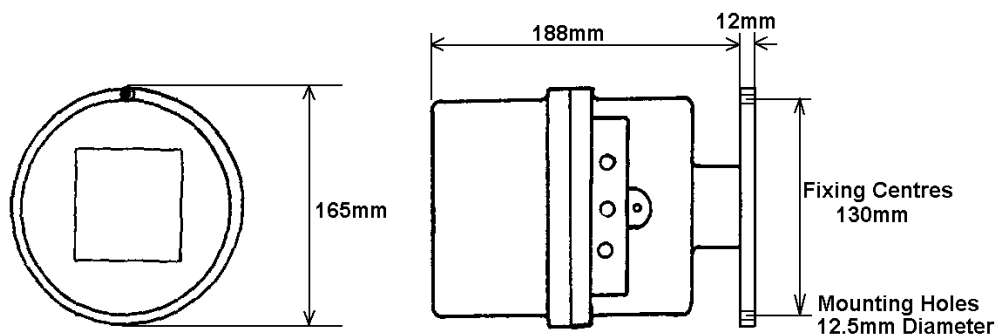
- Can be fitted with up to two trip amplifier modules covering a range of functions.
- Compatible with the FP87 Scanner.
- An intrinsically safe variant is also available.
- Standard mounting via Elcontrol mounting plate - other mountings available on request.
- Certified:  II 2 G Ex db IIC T6 Gb Ta -20°C to 60°C (Standard version)
- Certified:  II 2 G Ex db IIC T6 Gb Ta -20°C to 50°C (I.S. Version)

FP87 Ignition Unit

Features:

- DC or AC supply voltage versions available.
- Matching flameproof ignition cable assemblies can be supplied to customer requirements.
- Standard mounting via Elcontrol mounting plate - other mountings available on request.
- Certified:  II 2 G Ex db IIC T5 Gb Ta -20°C to 60°C

Outline Dimensions and Mounting Details (Trip Amp & Ignition variants):



Contact Details:

Elcontrol Limited,
18 Cambridge Rd,
Granby Industrial Estate,
Weymouth.
DT4 9TJ
United Kingdom

Tel: +44 (0)1305 773426
E-mail: sales@elcontrol.co.uk
www: <http://www.elcontrol.co.uk>