

# **FP87 ATEX** **IIC Flameproof** **Mains Ignition** **Transformer**



Certified  II 2 G Ex db IIC T5 Gb Ta -20°C to +60°C

## **Features:**

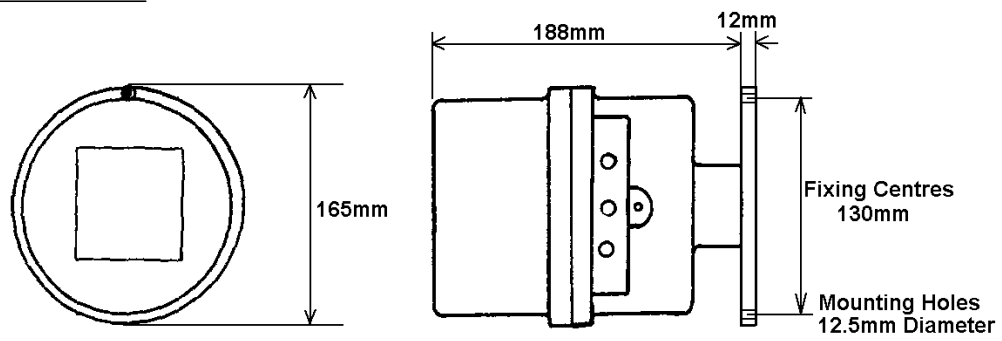
- Certificate Baseefa 02ATEX0034X
- Complies with EN60079-0: 2012 + A11 2013
- Complies with EN60079-1 : 2014
- Supply voltage 115V or 230V AC
- Output 7 kV @ 30 mA, 20% duty in 3 minute cycle
- Compact design for confined installation
- Optional finishes to customer requirements
- Choice of materials: *Aluminium (LM25)*
- Gland entries up to 3 x 20mm
- Mounting arrangements to customer requirements
- Screw-on lid construction
- Easy internal access for connection and maintenance.
- Flameproof ignition cable assemblies can be supplied to customer requirements



## **Applications:**

- Suitable for use in potentially hazardous atmospheres above ground
- Suitable for use with equipment in areas with gases up to IIC specified, including:  
Hydrogen, Acetylene, Carbon Disulphide, Ethyl Nitrate

**Outline Dimensions:**



---

**Contact Details:**

*Elcontrol Limited,  
Unit 5, Regulus Works,  
79 Lynch Lane,  
Weymouth, Dorset DT4 9DW  
United Kingdom*

*Tel: +44 (0)1305 773426  
Fax: +44 (0)1305 760539  
E-mail: [sales@elcontrol.co.uk](mailto:sales@elcontrol.co.uk)  
[technical@elcontrol.co.uk](mailto:technical@elcontrol.co.uk)  
WWW: <http://www.elcontrol.co.uk>*