

FP87 ATEX **IIC Flameproof** **Mains Ignition** **Transformer**



Certified  II 2 G Ex db IIC T5 Gb Ta -20°C to +60°C

Features:

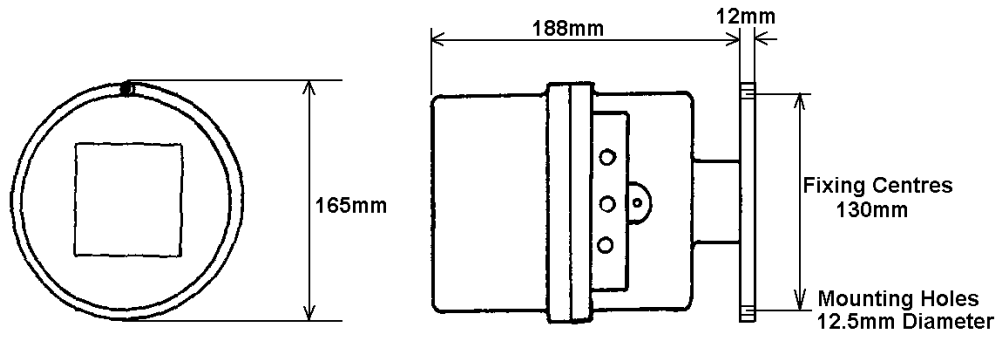
- Certificate Baseefa 02ATEX0034X
- Complies with EN60079-0: 2012 + A11 2013
- Complies with EN60079-1 : 2014
- Supply voltage 115V or 230V AC
- Output 7 kV @ 30 mA, 20% duty in 3 minute cycle
- Compact design for confined installation
- Optional finishes to customer requirements
- Choice of materials: Aluminium (LM25)
- Gland entries up to 3 x 20mm
- Mounting arrangements to customer requirements
- Screw-on lid construction
- Easy internal access for connection and maintenance.
- Flameproof ignition cable assemblies can be supplied to customer requirements



Applications:

- Suitable for use in potentially hazardous atmospheres above ground
- Suitable for use with equipment in areas with gases up to IIC specified, including:
Hydrogen, Acetylene, Carbon Disulphide, Ethyl Nitrate

Outline Dimensions:



Contact Details:

Elcontrol Limited,
18 Cambridge Rd,
Granby Industrial Estate,
Weymouth.
DT4 9TJ
United Kingdom

Tel: +44 (0)1305 773426
E-mail: sales@elcontrol.co.uk
www: <http://www.elcontrol.co.uk>
