

FSR460 **Semi-Automatic** **Burner Controller**



Features:

- Accepts either flame probe or simple UV scanner for flame detection
- Includes dark check logic
- Plug-in 'Techna' style box for ease of maintenance
- Simple START/STOP push-button operation
- LED indication of established PILOT flame
- Isolated voltage for flame probe



Application:

The FSR460 semi-automatic controller has been designed to operate in either atmospheric or fan assisted installations, where a permanent pilot and running flame failure protection is required. With the ease of use of simple START/STOP push-buttons, the FSR460 will control the operation of the ignition transformer, pilot and main valve, and also provide continuous flame failure protection using either a flame probe or an Elcontrol simple UV head. An alarm output is provided to indicate when the unit has reverted to a shutdown state.

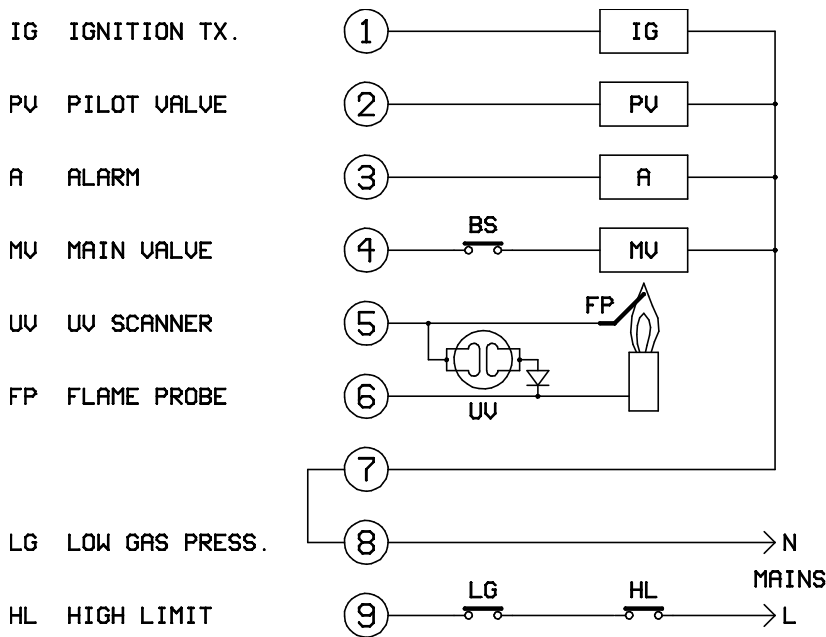
Operation:

With mains power supplied to the unit, light up is initiated by pressing the '**START**' push-button. This will de-energise the alarm output, and energise the pilot valve and ignition transformer. Should a malfunction of the flame detection circuitry arise, these operations will be inhibited by the dark-check circuitry. Correct establishment and detection of the pilot flame will result in the ignition transformer being de-energised and the '**FLAME ON**' LED illuminating. At this point the '**START**' push-button can be released and, providing the temperature interlocks permit it, the main valve will then energise. The FSR460 controller will now remain in the running condition, providing flame failure protection and indication. Should the flame be lost, or the unit be shut-down using the '**STOP**' push-button, both the pilot and main valves will de-energise and the '**FLAME ON**' LED will extinguish. The alarm output will then energise again.

Elcontrol FSR460 Semi-Automatic Burner Controller

Technical Specification:

Output Switching:	5A 250V AC resistive
Operating Voltages:	110V or 240V AC 50 Hz
Operating Temperature Range:	-20°C to +65°C
Pull-In Delay:	50 ms
Drop-Out Delay:	Less than 2 seconds typically
Flame Detection:	Flame rectification probe or non self-checking UV head (UVH201/D)



Connection Information:

Contact Details:

Elcontrol Limited,
Unit 5, Regulus Works,
79 Lynch Lane,
Weymouth, Dorset DT4 9DW
United Kingdom

Tel: +44 (0)1305 773426
Fax: +44 (0)1305 760539
E-mail: sales@elcontrol.co.uk
technical@elcontrol.co.uk
WWW: <http://www.elcontrol.co.uk>