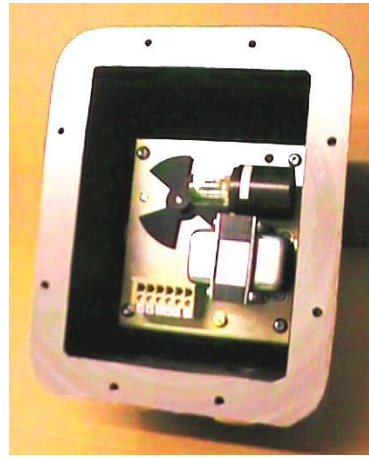


# **UVH6/FP/MK1**

## **IIB Flameproof**

### **Self-Checking UV**

#### **Viewing Head**



#### **UVH6/FP Enclosure Details**

**ATEX & IECEx Approved,  $\text{Ex}$  II 2 G**

**Ex db IIB T6 Gb (-20°C ≤ T<sub>amb</sub> ≤ +60°C)**

**Certificate Ref: Baseefa02ATEX0050X &**

**IECEx BAS 16.0079X**

#### **Features:**

- ◆ Zone 1 certification
- ◆ Robust design for industrial environments
- ◆ Optional finishes to customer requirements
- ◆ Material: Aluminium (LM25)
  
- ◆ Gland entries – up to 3 x 20mm (Standard – 2)

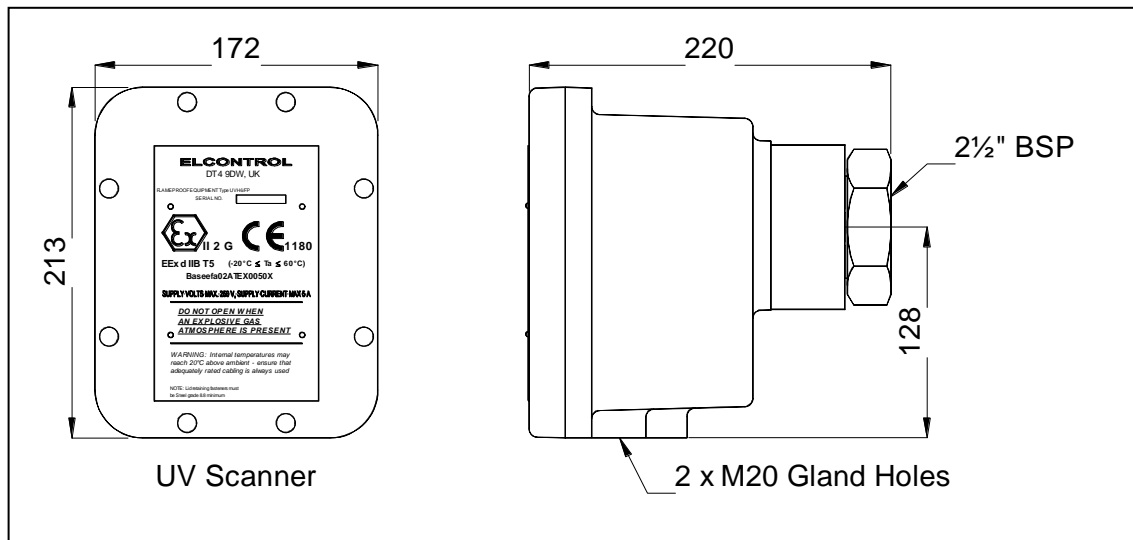
#### **Applications:**

- ◆ Suitable for use in potentially hazardous atmospheres above ground
- ◆ Suitable for use with equipment in areas with gases up to IIB specified.

# **Elcontrol UVH6/FP/MK1** **IIB Flameproof UV Viewing Head**

## **Features:**

- ◆ ATEX Approval – Certificate No. Baseefa02ATEX0050X
- ◆ IECEx Approval – Certificate No. IECEx BAS 16.0079X
- ◆ Supply voltages 50V, 110V, 220V or 240V ac. Others to special order.
- ◆ Synthetic Quartz lens option for increased sensitivity.
- ◆ UV Spectral response 190-270 nm.
- ◆ Continuous self-checking operation.
- ◆ Easy internal access for connection and maintenance.
- ◆ Standard mounting via 2½" BSP cap nut.
- ◆ Operating temperature limits –20°C to +60°C.
- ◆ Compliance with Essential Health and Safety Requirements:  
IEC60079-0 & IEC60079-1
- ◆ Standard (**MK1**) version described above. Other variants available:
  - **MK2:** As MK1 but not self-checking (no beam chopper disk)
  - **MK3:** As MK1 but not self-checking and low voltage UV cell.
  - **MK1/4:** As MK1 but with visible light back-up cell (chopped)
  - **MK1/5:** As MK1 but with infra-red flicker back-up cell (unchopped)



## **Contact Details:**

Elcontrol Ltd,  
18 Cambridge Road  
Granby Industrial Estate  
Weymouth, DT4 9TJ  
United Kingdom

Tel: ++44 (0) 1305 773426

E-mail: [sales@elcontrol.co.uk](mailto:sales@elcontrol.co.uk)

www: <http://www.elcontrol.co.uk>